

Rocky Forge News

Volume 22, Issue 9 – September, 2023

Next Meeting September 9 (at Illiana Shop in Rainsville)

Time sure flies by when we are busy! Our September meeting is coming up this weekend, Saturday, September 9th, 9:00 AM, at the Illiana shop.

The final package of information to close out the grant was sent to TAF by the Illiana treasurer last week.

Hopefully, we met their criteria to issue the remaining \$12,500 to make the total grant of \$50,000.

In order get all the paperwork completed we had to show that all bills were paid. That meant we had to provide proof that the outstanding bill for the electrical contractor was paid. To do that Rocky Forge paid \$3,505.46 and Ted and Carol loaned \$12,500. If by chance TAF does not pay, then Stout's are out that amount.

Illiana directors voted they would never pay a dime if we went over the \$50,000.

Regardless of their vote, Illiana has a huge positive addition to their show grounds and Rocky Forge has a very nice facility to train, practice, and demonstrate our craft. Be proud of our accomplishments and continue to support our future building and educational improvements.

Our meeting agenda for this Saturday will be to start a new adventure of developing skills to become more proficient metal smiths. The ABANA national Curriculum training will be the kick-off this Saturday. Try not to miss this meeting.

You are encouraged to read about the [Level 1 curriculum on the ABANA website](#). Bring a notebook, your tool bucket and an anvil, if possible.

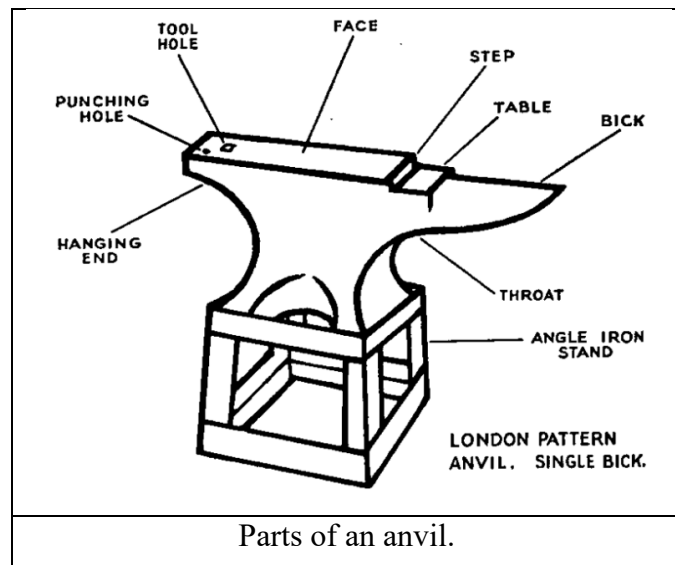
Also, let's do an Iron-in-the-Hat drawing, so bring contributions for it.

After an introduction to Level 1 we can fire up the forges and work on Level 1 or your personal projects.

Dan and Margie Michael will provide hamburgers and brats for the meal. Be sure to bring drinks and a covered dish to supplement the meal.

See ya all Saturday.

Ted and Carol (765-491-2194)



Contacts

Forgemaster: Ted Stout (stout8525@tds.net, 765-491-2194 cell).

Newsletter Editor: Dominick Andrisani (andrisan@purdue.edu, 765-463-4975)

Dates to Remember

[SOFA Quadstate](#): September 22-24, 2023, Troy, Ohio.

[ABANA Conference](#): June 6-9, 2024, Johnstown, PA (Note: this date conflicts with the traditional date for our 2024 IBA Conference).

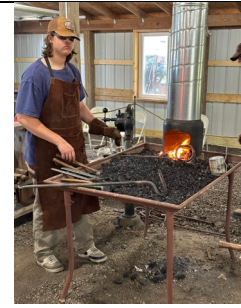
Forges and Anvils



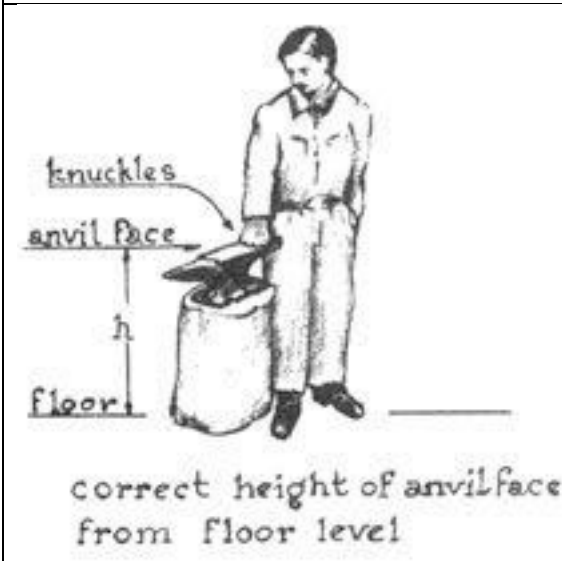
Forge table with coal, side-draft hood, blower, anvil on stand, post vice, water bucket, and blacksmith. Note the large sheet metal stovepipe to remove smoke.



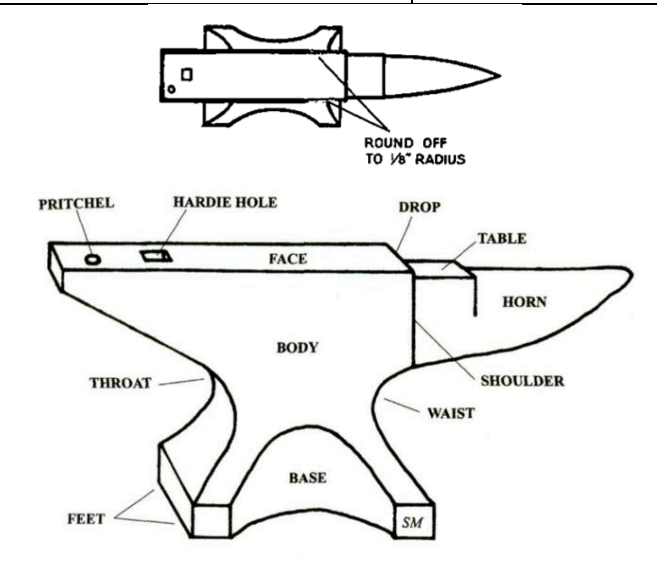
Smoke is drawn out of the forge with a side-draft hood. Gene made two hoods like this one.



The side-draft hood in this photo is made from a small propane tank.



Correct height for an anvil.



Parts of an anvil.