

# Rocky Forge News

Volume 13, Issue 9 – September 2014

---

## Next Meeting (9/13/14)

Tis the season of festivals and events pulling our attention in all directions. The blacksmiths have so many conflicts this time of the year it is hard to choose. The Illiana History Day coming September 26, and the largest gathering of blacksmiths in the country also occurs on that date in Troy, Ohio (SOFA). It is with regret that many of us will miss the History Day in favor of SOFA; however, with such a strong membership force in the Rocky Forge group we will have the History Day covered to a great extent. Whew!!

The next meeting of the blacksmiths will be at Ted's shop on September 13<sup>th</sup> and will be an open forge time to have fun working on our pet projects. Also, we will attempt to palletize some of the smaller parts to the machinery that has already been moved to the Illiana Shop and get the stuff ready to accept winter conditions without damage. Be sure to bring your tool bucket and items for iron-in-the-hat. I do not know whether Dan and Margie will be here with coal.

For lunch we will travel about 3 miles east of my shop and eat at the "Quaker Fair" being held at the old "Farmer's Institute Friends Church". This is a unique setting that I trust you will all enjoy. At the fair they will be serving bean soup, fried potatoes, coleslaw and cornbread. The meal is \$5.00 and pie is a separate cost. On display will be old tractors, quilts, a history of the church every hour and music.

Hope to see a good crowd at this meeting.

We will have coffee and doughnuts starting at 8:30. See you all then.

Ted

## SOFA Quadstate (9/26-28/14)

Each year the Southern Ohio Forge and Anvil (SOFA) organization hosts their annual conference in Troy, Ohio. This is one of the finest blacksmithing conferences in the USA, a must see for the serious blacksmith! This year the conference features the following demonstrations:

Patrick Nowak - Friday Evening Hammer Making  
Heather McLarty - Los Angeles, CA  
Jan Aijian - High Relief Copper  
Clay Spencer -Murphy, NC  
Dave Custer - Decorative Grill and Joinery  
Dan Nickels - Traverse City, MI  
Derrick Bliss - European Influenced Architectural Ironwork  
Mace Vitale - Gilford, CT  
Sam Salvati - Knives and The Cutting Edge  
John King - Beginner Hands-On Instruction

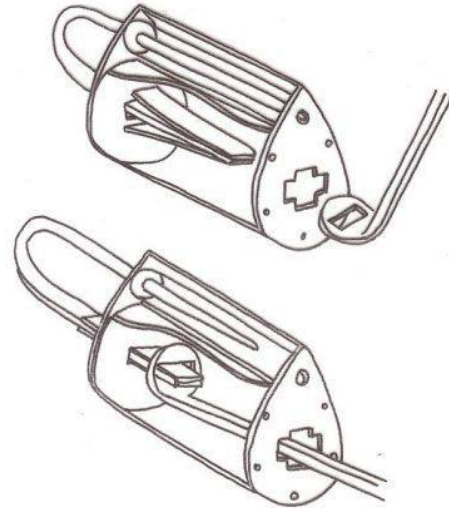
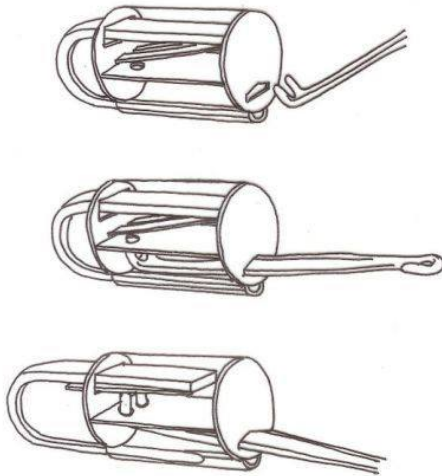
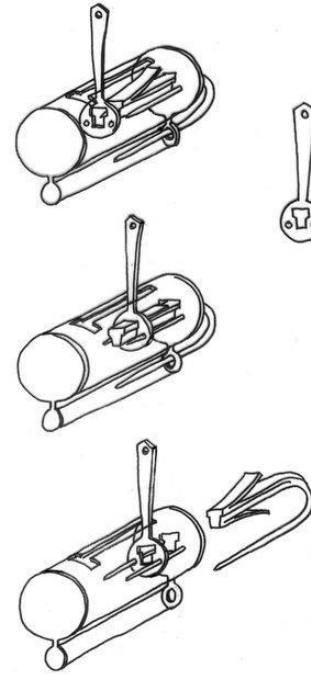
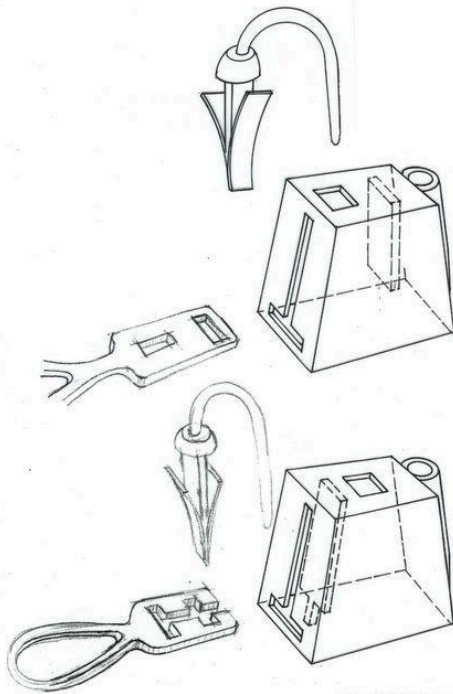


Joshua Greenwood's leaf from SOFA 2010



Linda Woodward's Chicken Track Switch plate (SOFA2010)

## Viking Era Padlocks (Ref: ArtSklad on Facebook)



### Contacts

**Forgemaster:** Ted Stout (stout8525@tds.net, 765-572-2467 home).

**Newsletter Editor:** Dominick Andrisani (andrisan@purdue.edu, 765-463-4975 home).

**Web Site:** <http://www.rockyforge.org/> (previous newsletters can be found here).

### Dates to Remember

**Rocky Forge Meeting at Ted's:** September 13, 2014.

**September 26-28, 2014:** SOFA QuadState

**October 4-5, 2014:** Feast of the Hunters' Moon

**September 24-October 12, 2014:** ArtPrize

### Interesting Web Sites

**ArtPrize :** <http://www.artprize.org/>

**Forging History: Forging in Closed Dies (1:18:09 h:m:s)** [http://www.youtube.com/watch?v=v2\\_0V58ocq4](http://www.youtube.com/watch?v=v2_0V58ocq4)

**Forging a Larger Decorative Leaf:** <http://www.youtube.com/watch?v=meFaJUjD5w0>

**SOFA:** <http://sofablacksmiths.org/>

**ART Sklad on Facebook:**

<https://www.facebook.com/ArtSklad>

**ABANA on Facebook:**

<https://www.facebook.com/pages/ABANA/326956651281>