

Rocky Forge News

Volume 12, Issue 8 – August 2013

Next Meeting (8/10/13)

A big thanks goes to all who worked during the Illiana Show, it was a big success despite the heat. We had 14 members working the show. The audience, as usual, was impressed with what this group has to offer; blacksmithing, copper smithing, cooperage, Lewis and Clark interpretation. Thanks again. It was greatly appreciated.

The ROCKY FORGE group will meet at the Illiana Show grounds at 9:00 on August 10th, with doughnuts and coffee ready at 8:30. Our agenda for the day will be to work on site preparation for the expansion of our building. Rob Durrett will bring his Bobcat skid loader. Everyone else should bring shovels, rakes, manual posthole diggers, tampers, screw guns and whatever else may be needed for a site preparation. Over the years we have had some really good meetings with demonstrations, trips and watched our own members develop their skills. Now it is time to give back to the club and participate in this work period to build and develop our building for the next phase of the Rocky Forge Blacksmiths.

The purpose of the building expansion will be to extend the existing structure on both the west and east sides. The east side will house old time woodworking tools and demonstrations. The west side will house a machine shop with machines from the old "Ottenham Blacksmith and Machine Shop" from Attica and other sources. Once up and running the shop will be available for members use and will be a great addition to the annual Illiana Show.

A planning committee consisting of Brad McCormick, Dominick Andrisani and I meet at 9:00 A.M., Saturday, August 3rd to work out details of the construction project.

Please bring your own lunch and drink for the day. We will also have an Iron-in-the-Hat drawing that may be enough to buy a couple of building posts.

See you all on the 10th.

Ted

Contacts

Forgemaster: Ted Stout (stout8525@tds.net, 765-572-2467 home).

Newsletter Editor: Dominick Andrisani (andrisan@purdue.edu, 765-463-4975 home).

Web Site: <http://www.rockyforge.org/> (previous newsletters can be found here).

Dates to Remember

August 5&6, 2013: Rocky Forge demonstrates at the Indiana State Fair Blacksmith Shop.

August 10, 2013: Rocky Forge meeting.

September 7&8, 2013: Rural Smiths of Mid-America (RSMA) at Meeting and Demo, Johnson County Park near Edinburg, IN.

September 14, 2013: Rocky Forge meeting.

September 27– 29, 2013: SOFA QUADSTATE Conference, Troy, Ohio. <<<Note date correction

September 20 – 22, 2013: Potawatomi Fest, Attica.

October 5 - 6, 2013: Feast of the Hunters' Moon, Fort Ouiatenon, West Lafayette, IN.

October 11-20, 2013: Parke County Covered Bridge Festival, Parke County, IN.

August 13-16, 2014: ABANA 2014 Conference.

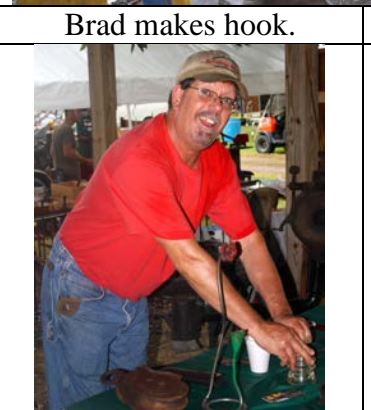
Images from Illiana Show 2013



Brad makes hook.



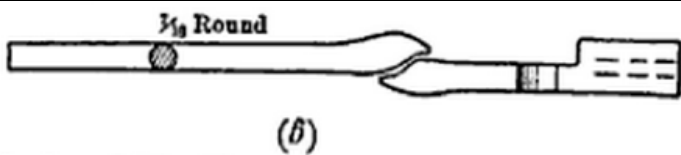
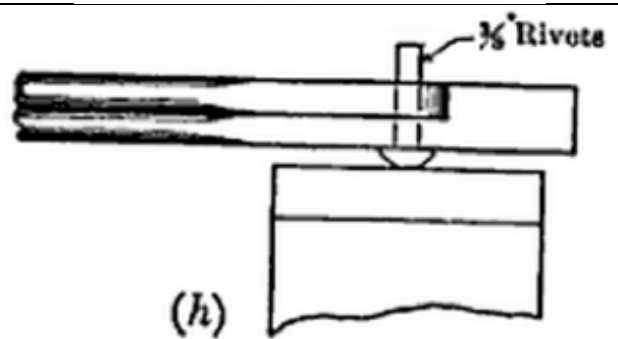
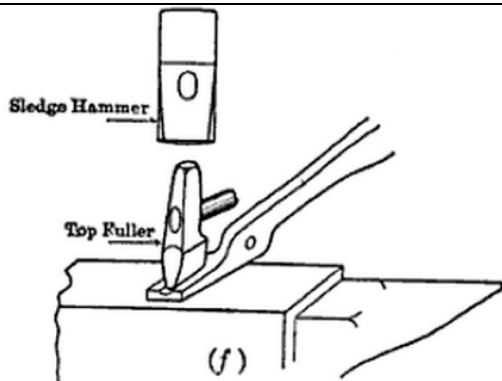
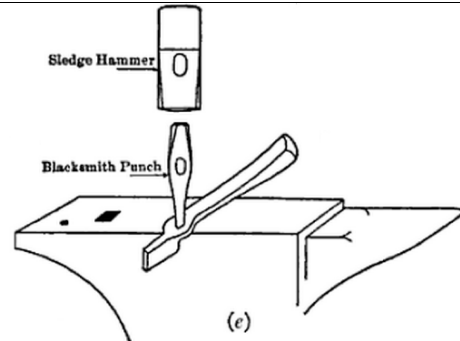
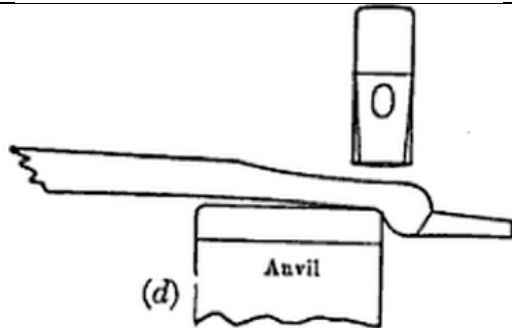
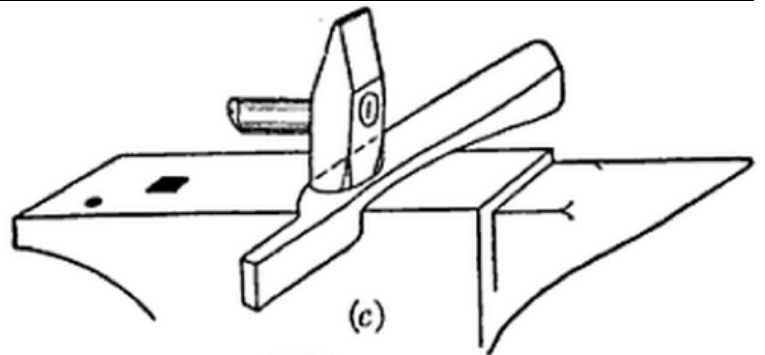
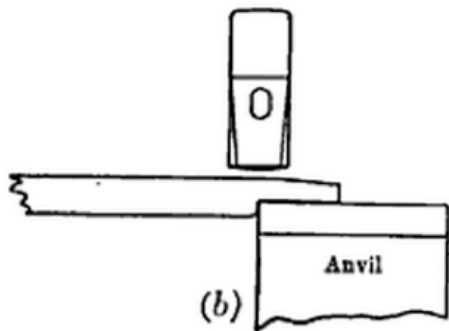
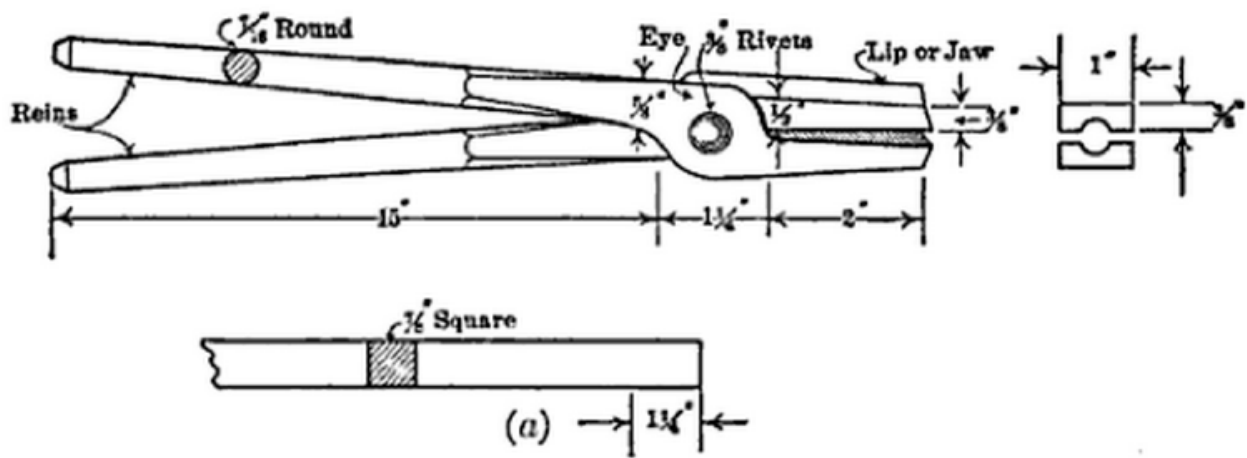
Gene laughs.



Greg explains.



Rob gives history talk.



Ref: PLAIN AND ORNAMENTAL FORGING,
 By Ernst Schwarzkopf,
 John Wiley, and Sons, 1916
 Digitized by Google